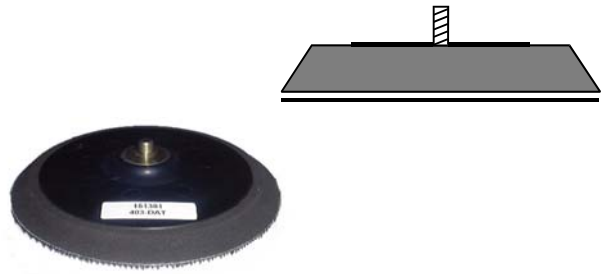


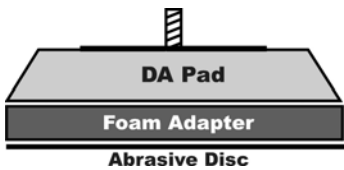
RANDOM ORBIT DA PADS - SCD DISCS

KOLTEC DA pads for SCD discs are laminated with a black 1/2" thick foam interlayer, and a Gripper "T" extra long hook surface. They will hold either scrim back SCD discs or plain SCD material. For use on random orbit sanders.



EDP #	PAD #	DIAM	ARBOR	FLEX	SURFACE	VAC Ø	COLOR	RPM
151369	401-DAT	4½"	5/16" male	Med-Soft	Gripper T	None	Black	13,000
151385	4015-DAT	5"	5/16" male	Med-Soft	Gripper T	None	Black	12,000
151381	403-DAT	6"	5/16" male	Med-Soft	Gripper T	None	Black	10,000

INTERFACE PADS



Use to soften the flex of DA and straight rotation pads. Other sizes and configurations can be special ordered.

EDP #	PAD #	DIAM	THICK	TOOL	DISC	VAC Ø
151005	3DAP-VVN	3"	0.5"	Velour	H&L	None
151002	5DAP-VVN	5"	0.5"	Velour	H&L	None
151004	5DAP-VV5	5"	0.5"	Velour	H&L	5
151008	5DAP-VPN	5"	0.5"	Velour	PSA	None
151010	5DAP-VP5	5"	0.5"	Velour	PSA	5
151014	6DAP-VVN	6"	0.5"	Velour	H&L	None
151020	6DAP-VPN	6"	0.5"	Velour	H&L	None

PADS FOR PSA AND GLUE DISCS - STRAIGHT ROTATION

Koltec cushioned pads for PSA adhesive back and glue on discs are designed for tools with straight rotation, not dual action. They have a sturdy back plate with female 5/8-11 threaded arbor.



640 & 641 Style



Soft Edge Style



Thick Edge Style

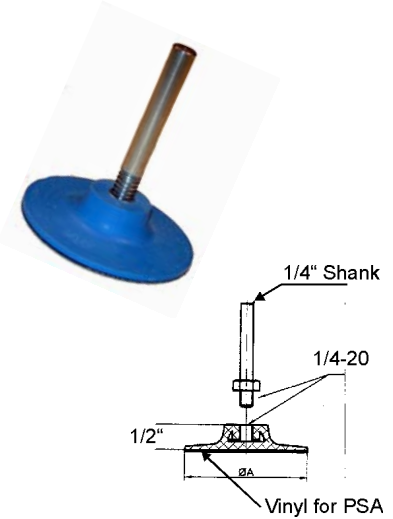
EDP #	PAD #	DIAM	ARBOR	FLEX	SURFACE	COLOR	RPM
151417	640-A-5	5"	5/8-11	Med-Soft	Blue Vinyl	Yellow	7,000
151444	580-AS-5	5"	5/8-11	Soft Edge	Blue Vinyl	Yellow	8,500
151445	581-AS-5	5"	5/8-11	Thick Edge	Blue Vinyl	Yellow	8,500
151446	581-GS-5	5"	5/8-11	Thick Edge	Canvas	Yellow	8,500
151418	641-A-5	6"	5/8-11	Med-Soft	Blue Vinyl	Yellow	5,730

SPINDLE PADS FOR PSA DISCS

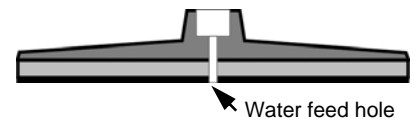
These spindle pads are designed to hold small diameter PSA discs. The pads are undersized by design.

EDP #	PAD #	ABR DIAM	PAD DIAM	SHANK	INTERLAYER	FLEX
151040	413-AM-4S	1"	0.91"	1/4" (T)	None	Medium
151042	406-AM-4S	1¼-1½"	1.17"	1/4" (T)	None	Medium
151044	407-AM-4S	2"	1.85"	1/4" (T)	None	Medium
151048	409-AM-4S	3"	2.87"	1/4" (T)	None	Medium

Shanks with (T) are threaded and can be removed leaving a 1/4-20 female arbor.



PADS FOR HOOK & LOOP DISCS STRAIGHT ROTATION



KOLTEC pad for H&L discs are typically used in finishing and polishing applications with Velcro® backed abrasive or diamond discs. Pads with water feed holes are commonly used in the polishing of marble, granite, and other ceramic material in a wet mode. They can be used in both wet and dry applications.



Spindle pads with 1/4" shank



Pads with foam interlayer and a water feed hole. Can be used wet or day.



Pads without foam interlayer for firmer action.

EDP #	PAD #	DIAM	ARBOR	SURFACE	FOAM	WATER Ø	RPM
151052	SP2-3-H	2"	1/4" Shk	Velcro	3/4"	No	6,000
151053	SP3-3-H	3"	1/4" Shk	Velcro	3/4"	No	6,000
151402	418-1MH3125-5	3"	5/8-11	Velcro	1/2"	No	20,190
151405	355-1MH3126W-5	3"	5/8-11	Velcro	1/2"	Yes	20,190
151406	355-1MH3125-3	3"	3/8-24	Velcro	1/2"	No	20,190
151409	399-1MH3126W-5	4"	5/8-11	Velcro	1/2"	Yes	15,000
151601	375-1LH-5	4½"	5/8-11	Velcro	None	No	13,000
151414	376-1MH3126W-5	5"	5/8-11	Velcro	1/2"	Yes	12,000
151605	376-1LH-5	5"	5/8-11	Velcro	None	No	12,000
151611	376-1LH-M14	5"	M14	Velcro	None	No	12,000
151429	314-1MH3126W-5	6"	5/8-11	Velcro	1/2"	Yes	10,000
151430	392-1MH3126W-5	7"	5/8-11	Velcro	1/2"	Yes	8,500
151617	392-1LH-5	7"	5/8-11	Velcro	None	No	8,500
151433	337-1MH3126W-5	8"	5/8-11	Velcro	1/2"	Yes	7,570
151434	337-1MH3426-5 (firm)	8"	5/8-11	Velcro	3/8"	No	7,570